



LIQUID LOGISTICS IN **TANK CONTAINERS**

Anand Sheth
Director, BOLT



TRADITIONAL METHODS OF LIQUID TRANSPORTATION



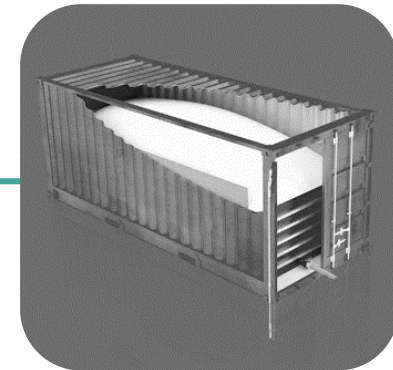
Drums



Intermediate Bulk Containers (IBCs)



Parcel Tankers



Flexi Tank Containers



Handling and safety challenges



Higher costs



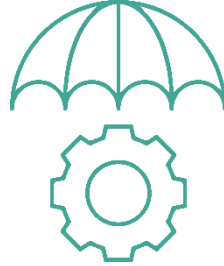
Risk of contamination and spillage

BENEFITS FOR CARGO OWNERS

Safety and Security



Risk Mitigation



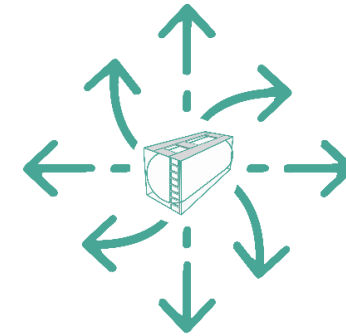
Environmental Sustainability



Cost Efficiency



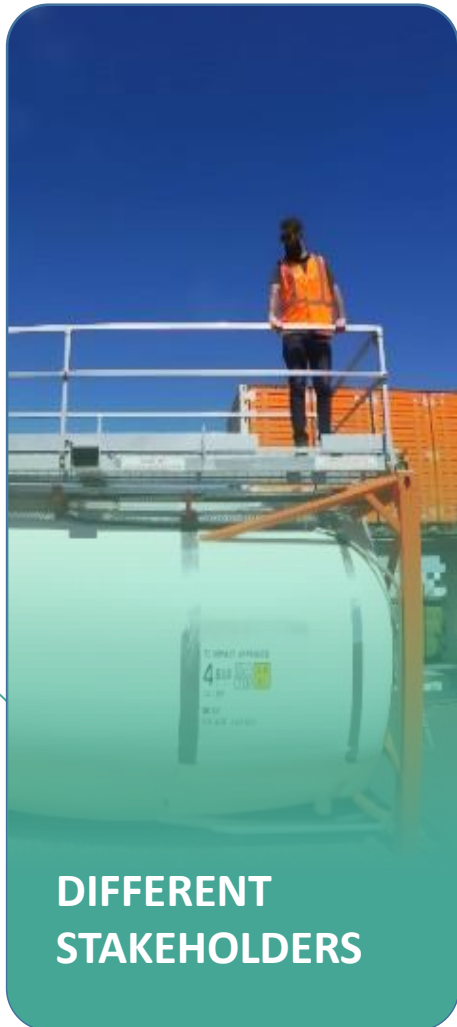
Versatility & Flexibility



Product Integrity

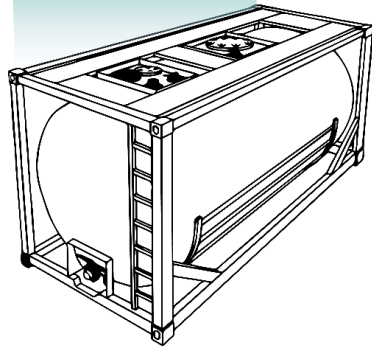


TANK CONTAINER INDUSTRY

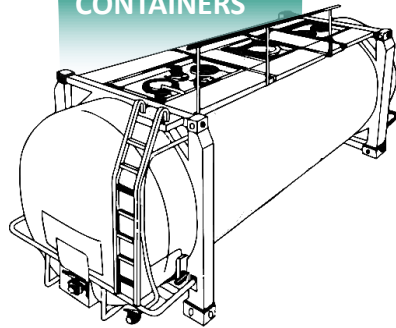


TYPES OF TANK CONTAINERS

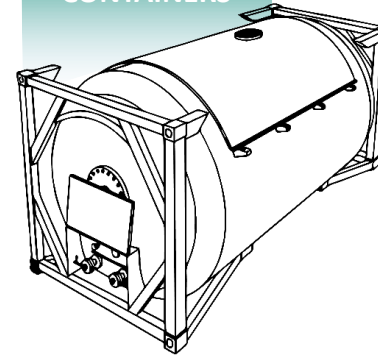
LIQUID TANK
CONTAINERS



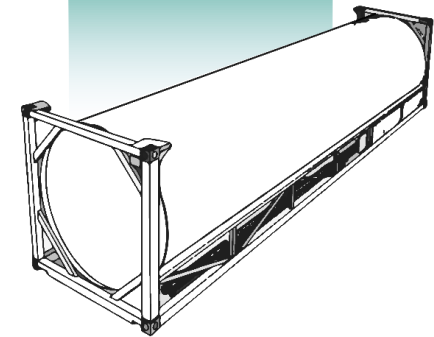
SWAP BODY
TANK
CONTAINERS



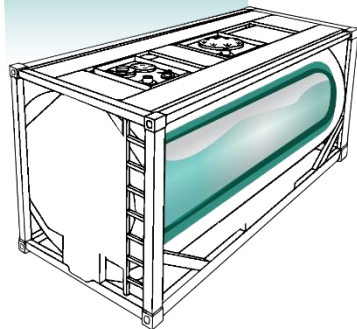
GAS TANK
CONTAINERS



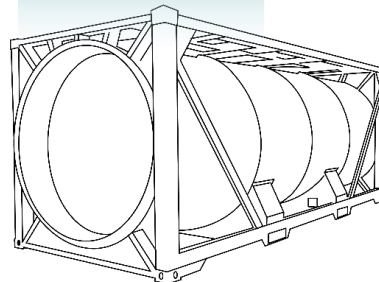
CRYOGENIC TANK
CONTAINERS



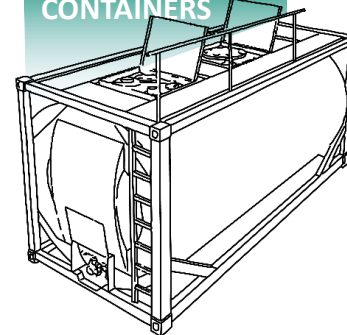
LINED TANK
CONTAINERS



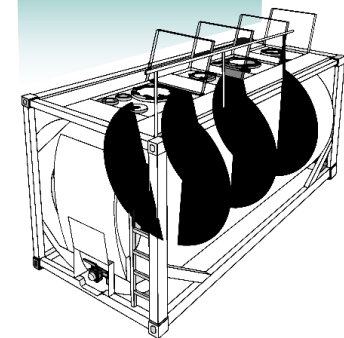
DRY BULK TANK
CONTAINERS



FOOD GRADE
TANK
CONTAINERS



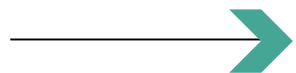
BAFFLE TANK
CONTAINERS



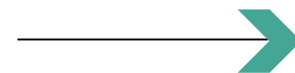
JOURNEY OF A SHIPMENT



Preparation and
Inspection



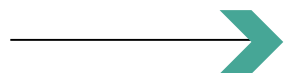
Loading Operations



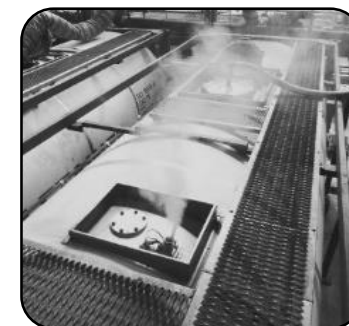
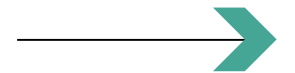
Sealing and
Securing



Transportation



Unloading of Liquid Cargo



Cleaning and
Maintenance

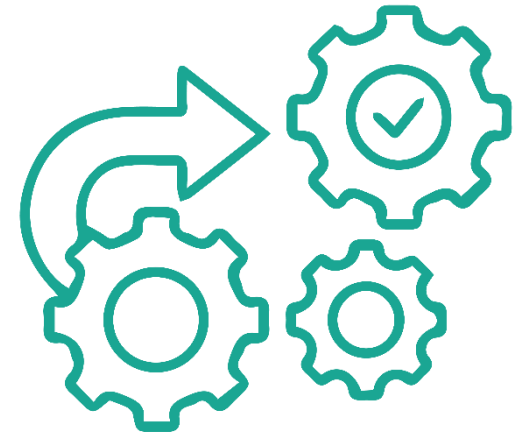
FUTURE OF TANK CONTAINER INDUSTRY



Technological Advancements



**Regulatory Compliance
and Safety Standards**



**Supply Chain Resilience
and Risk Management**



YOUR TRUSTED **LIQUID LOGISTICS** PARTNER

GET IN TOUCH



info@bolt-tanks.com



www.bolt-tanks.com



[Linkedin/bolttanks](https://www.linkedin.com/company/bolttanks)